

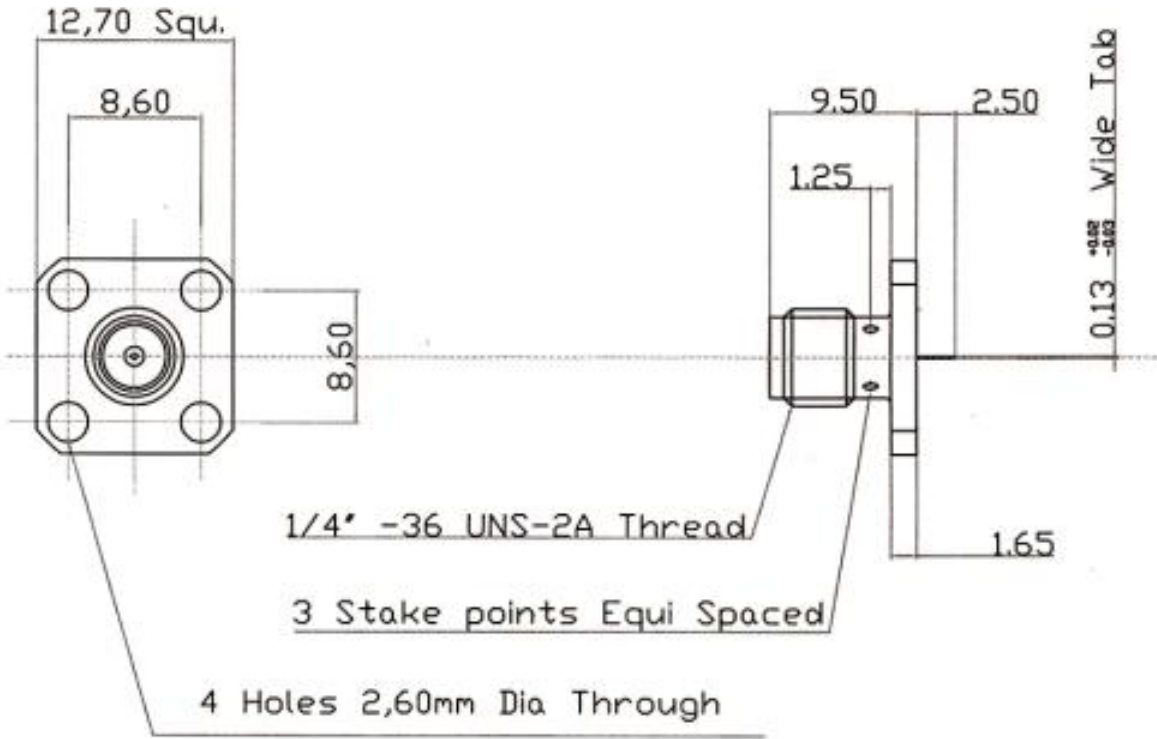
CONNECTORS CABLES



SPECIALISTS LTD.

01279 639251

sales@ccsukltd.co.uk



1/4" -36 UNS-2A Thread

3 Stake points Equi Spaced

4 Holes 2,60mm Dia Through

Note:

1. Contact to have a barb and a knurl to give Mechanical Captivation.
2. Contact / Insulator to withstand 3Ncm Min Torque.

Item	Material	Plating
Body	Brass	Gold
Contact	Be-Cu	Gold
Insulator	P.T.F.E.	---

QTY REQD PER ASSY				PARTS LIST			
REV	REVISION RECORD, EC-NBR	DATE	DR	MATERIAL	REGRIND	COLOUR	POST TREATMENT
1	Issued - (SK00262)	15-05-00	L.S.W.	DR L WILSON	APP		
				CHK	REL		
TOLERANCES UNLESS OTHERWISE SPECIFIED: ± 0.10 ANGLES ± 1° SURF TEXTURE: REMOVE BURRS, BREAK SHARP EDGES. PROJECT NO: WAS				NAME SMA - 4 Hole Panel Socket - Tab Contact			
USED ON				SCALE 2:1	LOC --	SIZE A4	DWG NO 5SMAGT11999XX
				SHEET 1 OF 1		REV 1	

CCS LTDologies Ltd.